



# WIND

## GENERAL INFORMATION

### 1A1 SELF-ELEVATING OFFSHORE SUPPORT UNIT. DYNPOS-AUT.

Flag: Danish

Length (overall): 55.08 m

Length (between P.P): 52.4 m

Breadth: 18.13 m

Depth (moulded): 4.0 m

Draft: 3.0/4.3 m

Gross tonnage (GT): 1,501

Net tonnage (NT): 451

Light ship: 1,993 t

Deadweight/payload: 220 t

Leg length: 50,2 m

## OPERATING CONDITIONS

Service: Weather restricted, site specific

Endurance (design): 30 days

### Jacking operations (design):

- Wave height: 1.25 m (Hs)
- Wind speed: 10 m/s
- Current: 1 kn

### Jacked survival (design):

- Wave height: 7.0 m/9 s wave (Hmax)
- Wind speed: 25 m/s
- Current: 3 kn



**ZITON**

**SPECIFICATIONS | M/V WIND**

## PERFORMANCE

**Transit speed:** 6 knots

**Fuel consumption:**

- Approx. 4.5 m<sup>3</sup>/day at transit speed
- Approx. 1.5 m<sup>3</sup>/day during craning/jacking
- Approx. 0.8 m<sup>3</sup>/day in harbour

**Propulsion system:**

- Diesel-electric
- 4 generator sets with a capacity of 2500 kW total. (2 x 800 kW + 2 x 450 kW)
- 2 azimuth thrusters AFT are driven by electrical motors, each with a capacity of 550 kW
- 1 retractable azimuth FWD is driven by an electrical motor with a capacity of 450 kW
- 1 transverse tunnel thruster FWD is driven by an electrical motor with a capacity of 300 kW
- The propulsion system is arranged for dynamic positioning with DP1 notation

**Pre-loading:** 600 t/leg (800 t/leg after upgrade)

**Holding:** 600 t/leg (800 t/leg after upgrade)

**Dual operator station according to DP1 single controller:**

- One fan beam
- Air gap sensors
- GMDSS stations A3
- S- and X-band radars

## CARGO & LIFTING CAPACITY

**Deadweight:** 220 t

**Cargo area:** Approx. 430 m<sup>2</sup>

**Deck load:** 20/30 t/m<sup>2</sup>

**Main crane boom length:** 110 meters

**Wind speed:** 10 m/s, 3 sec. gust

**Main hoist lifting capacity:**

30 tons @ 30 m radius @ 100 m height

**Auxiliary hoist:** Currently not in use. Possible to configure if necessary

## ACCOMMODATION

**ACCORDING TO DMA REGULATIONS.**

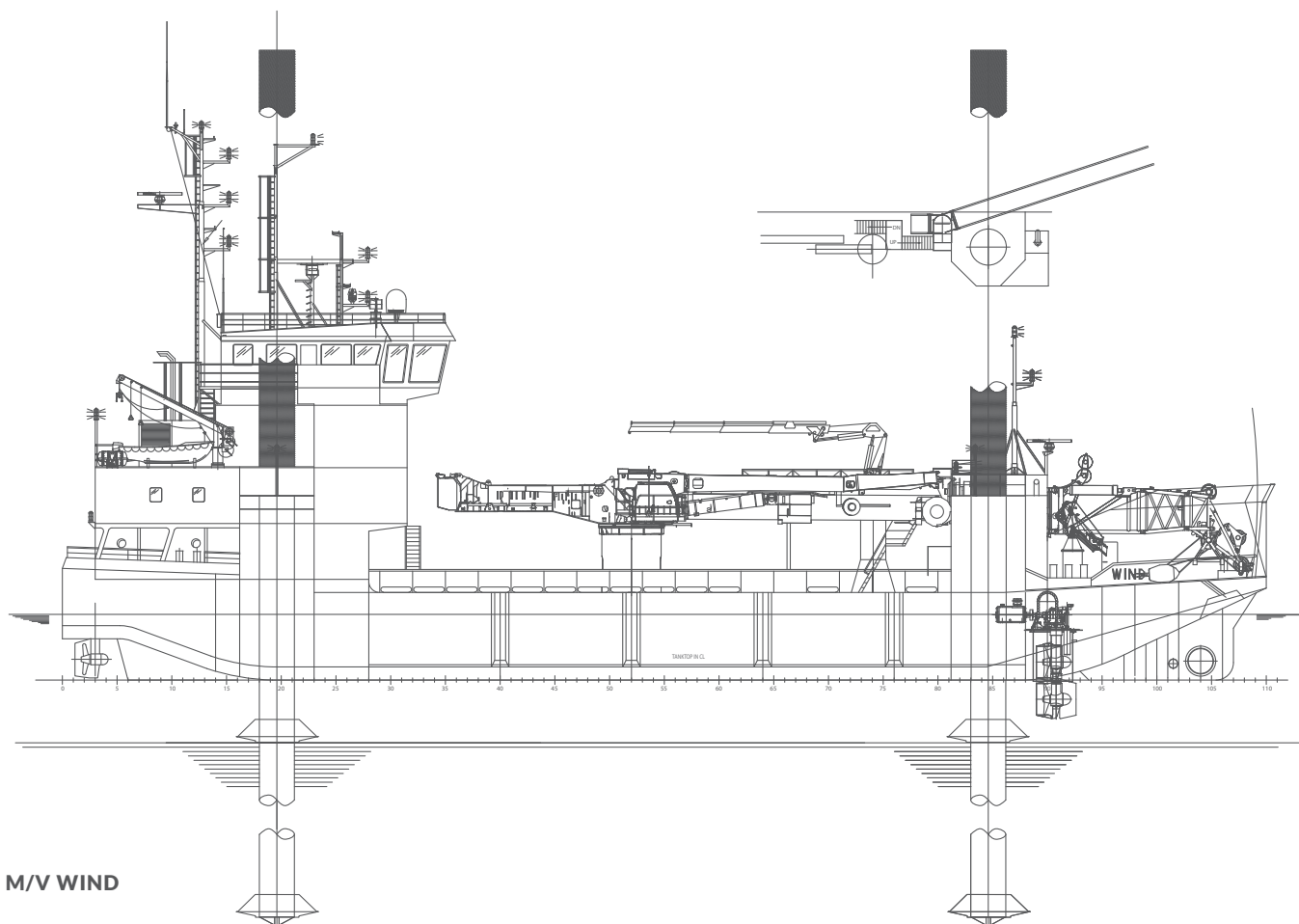
**Client accommodation:**

- 22 charterer's personnel in 21 cabins
- All cabins are with bath, toilet, TV and ethernet connection

**Client facilities:** Day room

**Crew facilities:** Day room and changing room

**Shared facilities:** Mess room, laundry, day room and gymnasium



M/V WIND



**ZITON A/S**  
Byholm Søpark 21 E  
DK-8700 Horsens Denmark

Phone +45 87 44 44 00  
sales@ziton.eu  
www.ziton.eu

